

APPLICATION INFORMATION

Flojet's K56 Series Water Booster Systems are designed for supplying consistent water pressure to beverage dispensers, coffee machines, water filtration systems, carbonators & ice machines.

Supplies up to 4 GPM (15 L / min). For use when water requirement is over 1.7 GPM (6.4 L / min).

MOUNTING

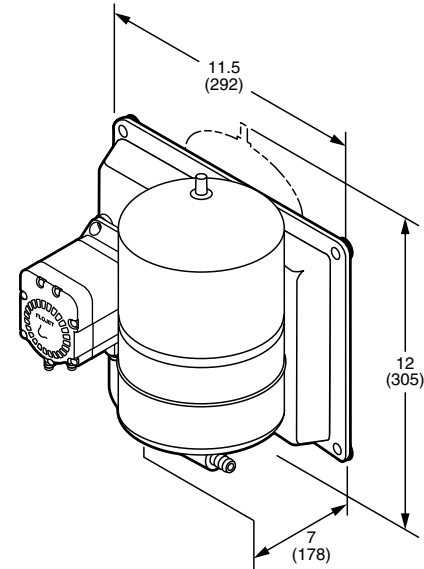
- Pump must be located within 10 ft. (3.05 m) of a static water supply.
- Pump must be facing down to maximize pump performance.
- Mounting grommets are part of pump assembly, and add stability.
- Fasten pump securely to wall or rack.

HOSE CONNECTIONS

- Be sure the brass CO₂ fitting on the pump is installed all the way and the retainer clip is engaged.
- For product hose use food grade vinyl hose or equivalent.
- Secure with appropriate Oetiker Clamp for specified tubing size or worm gear clamp 360 uniform clamping band.
- It is advisable to secure all hoses to prevent excessive movement.
- If pump is installed in an enclosed area such as a closet or basement, connection of a hose to the gas discharge fitting should be done to vent CO₂ to atmosphere safely. The muffler portion of the CO₂ exhaust can be removed with pliers.
- The CO₂ exhaust fitting may be removed when the air pressure is released to empty pump of condensation when using an air compressor.
- Discharge port from the pumps pre-plumbed from fitting to brass tee of the bladder tank, with 1/2" (12.7 mm) tubing for maximum flow and pressure efficiency.

DIMENSIONAL DRAWING

Inches (Millimeters)



Model K56 (Water Booster)

TECHNICAL SPECIFICATIONS

Pump Design:Positive Displacement, Double Diaphragm
Power Source:CO₂ Gas, Nitrogen or Compressed Filtered Air
Materials of Construction (wetted parts):Polypropylene, Santoprene®, EPDM, Nylon, Butyl, AISI 303 & 304 Stainless Steel, Brass
Temperature Limits:34° - 120° F (1.1° - 49° C)
Weight:5.42 lbs. (2.46 kg.)
Dimensions:12" H x 11.5" W x 7" D (304.8 mm x 292.1 mm x 177.8 mm)
Displacement:3.2 oz. per cycle
Self Priming:Up to 10 ft. (3.05 m)
Operating Pressure: ..60 psi (4.1 bar) min./90 psi (6.2 bar) max.
Liquid Inlet Pressure:30 psi (2.1 bar) max.
Bladder Tank:Recharged to 20 psi (1.4 bar)
Flow Rate:5 GPM (18.9 LPM) - Open Flow (Flow rate is higher when accumulator tank is not empty)
Noise Level:Maximum 80 dB
Approvals:NSF listed, CE

AVAILABLE PORT FITTINGS

Gas Inlet:

- 1/4" (6.3mm) Barb, plastic, straight
- 1/4" (6.3mm) Barb, brass w/CO₂ shut-off - straight, tee or elbow.
- John Guest for 1/4" O.D. tubing, plastic or brass w/CO₂ shut-off

Gas Outlet:

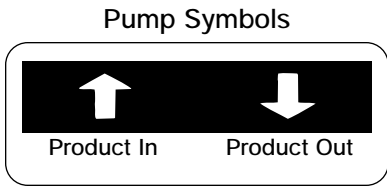
- 1/4" (6.3mm) Barb, plastic, straight, tee or elbow

Product Inlet:

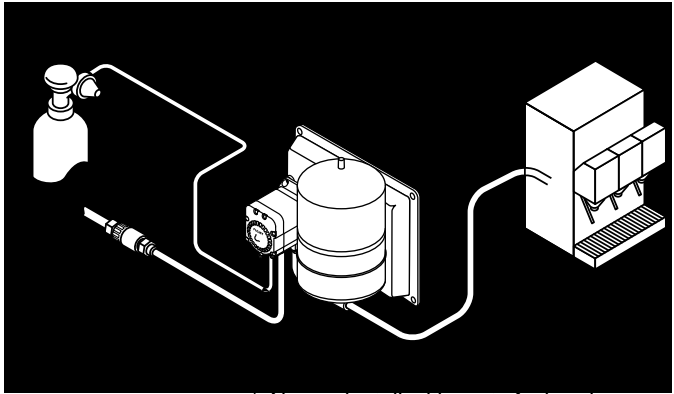
- 1/2" (12.7mm) Barb, plastic, straight

Tank Product Outlet:

- 1/2" (12.7mm) Barb, nylon, straight



TYPICAL BAG-IN-BOX INSTALLATION

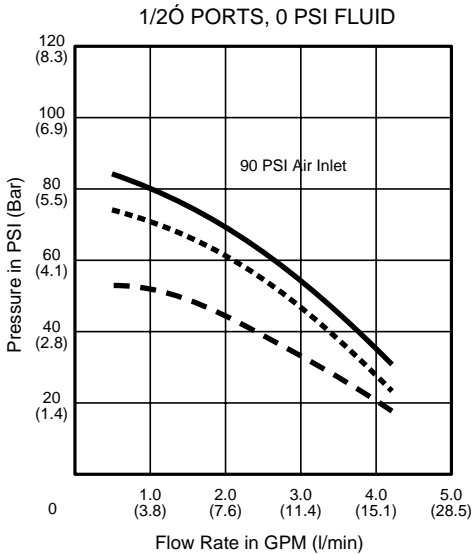
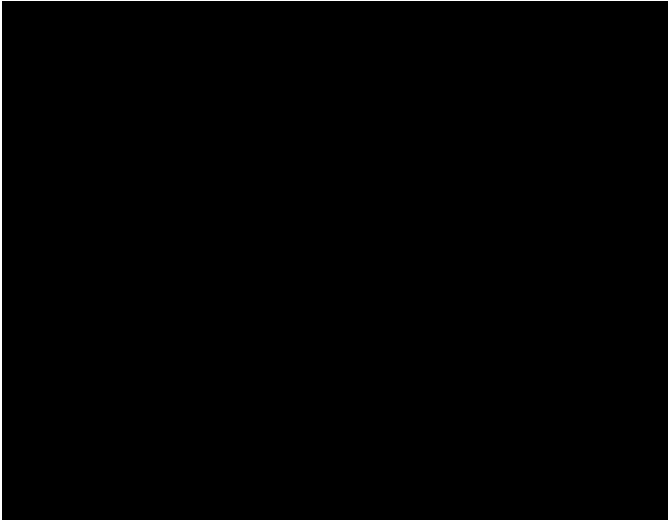


* Always install with ports facing down.

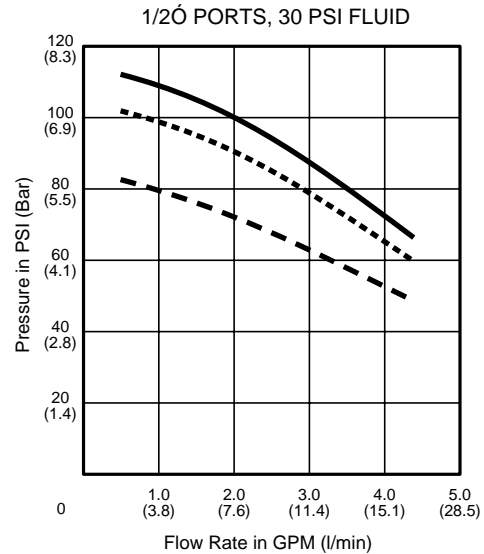


IF USED WITH CO₂ OR N₂ BE SURE THE AREA IS WELL VENTILATED

ONLY USE PUMPS WITH SPECIFIED PRODUCTS. DO NOT PUMP FLAMMABLE LIQUIDS OR USE WHERE FLAMMABLE VAPORS ARE PRESENT



Air Inlet Pressure
90 PSI Air Inlet
80 PSI Air Inlet
60 PSI Air Inlet



WARRANTY

FLOJET warrants this product to be free of defects in material and/or workmanship for a period of one (1) year after purchase by the customer from FLOJET. During this five (5) year warranty period, FLOJET will at its option, at no charge to the customer, repair or replace this product if found defective, with a new or reconditioned product, but not to include costs of removal or installation. No product will be accepted for return without expressed authorization. All returned goods must be shipped with transportation charges prepaid. This is only a summary of our Limited Warranty. For a copy of our complete warranty, please request Form No. F100-248.

RETURN PROCEDURE

Prior to returning any product to Flojet, call customer service for an authorization number. This number must be written on the outside of the shipping package. Place a note inside the package with an explanation regarding the reason for return as well as the authorization number. Include your name, address and phone number.

Flojet



U.S.A.
 Flojet
 20 Icon
 Foothill Ranch, CA 92610-3000
 Tel: (949) 859-4945
 Fax: (949) 859-1153

UNITED KINGDOM
 Flojet, Unit 1, Avant Business Centre
 Denbigh West Industrial Estate
 Milton Keynes, Bucks, England MK1 1DL
 Tel: 44 1908 370088
 Fax: 44 1908 373731